

SPECIFICATION

Customer : TOP

Applied To :

Product Name : Piezo Siren

Model Name : KPS-G4510-K1220


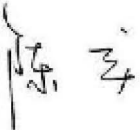
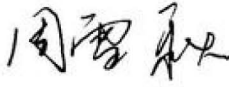
Drawing No. : KTC1220R

Compliance with RoHS

Signature of Approval

--

Signature of KEPO

Approved by	Checked by	Issued by	Date
			

Specification for Piezo Siren	Page	2/10
Model No. : KPS-G4510-K1220	Revision No.	1.1
	Drawing No.	KTC1220R

CONTENTS

1. Scope
2. General
3. Electrical and Acoustic Characteristics.
4. Reliability Test
5. Measurement Block Diagram
6. Structure
7. Dimensions
8. Packing
9. Mark
10. Revision

Specification for Piezo Siren	Page	3/10
	Revision No.	1.1
	Drawing No.	KTC1220R
Model No. : KPS-G4510-K1220		

1. Scope

This product specification is applied to the siren used for sounder in alarm systems. Please contact us when using this product for any other applications than described in the above.

2. General

- 2.1 Length: 44.5mm
44.5 mm
- 2.2 Width: 57.5 mm
57.5 mm
- 2.2 Height 55.6 mm
55.6 mm
- 2.3 Weight: 65± 5 g.
65± 5g
- 2.4 Operating Temperature range:
-20~+60°C without loss of function
-20~+60°C
- 2.5 Store Temperature range:
-30~+70°C without loss of function
-30~+70°C

3. Electrical and Acoustic Characteristics.

Test condition : 15 ~ 35 °C, 25% ~ 85% RH, 860~1060 mbar
15~35 °C, 25%~85%RH , 860~1060mbar

	Items 项目	Specification
1	Rated Voltage	12VDC
2	Operating Voltage	8-15VDC
3	Max. Rated Current	≤220mA/12VDC
4	Min. Sound Pressure Level	100dB/12VDC/100cm
5	Tone Nature	Siren
6	Housing Material/Color	ABS/Black
7	Ingress Protection	IP65
8		
9		
10		

Specification for Piezo Siren		Page	4/10
		Revision No.	1.1
Model No. : KPS-G4510-K1220		Drawing No.	KTC1220R

4. Reliability Test

After test(1~6item), the Piezo Siren SOUND METER OR EQUIVALENT difference shall be within $\pm 10\text{dB}$, and the appearance not exist any change to be harmful to normal operation(e.g.cracks,rusts,damages and especially distortion).

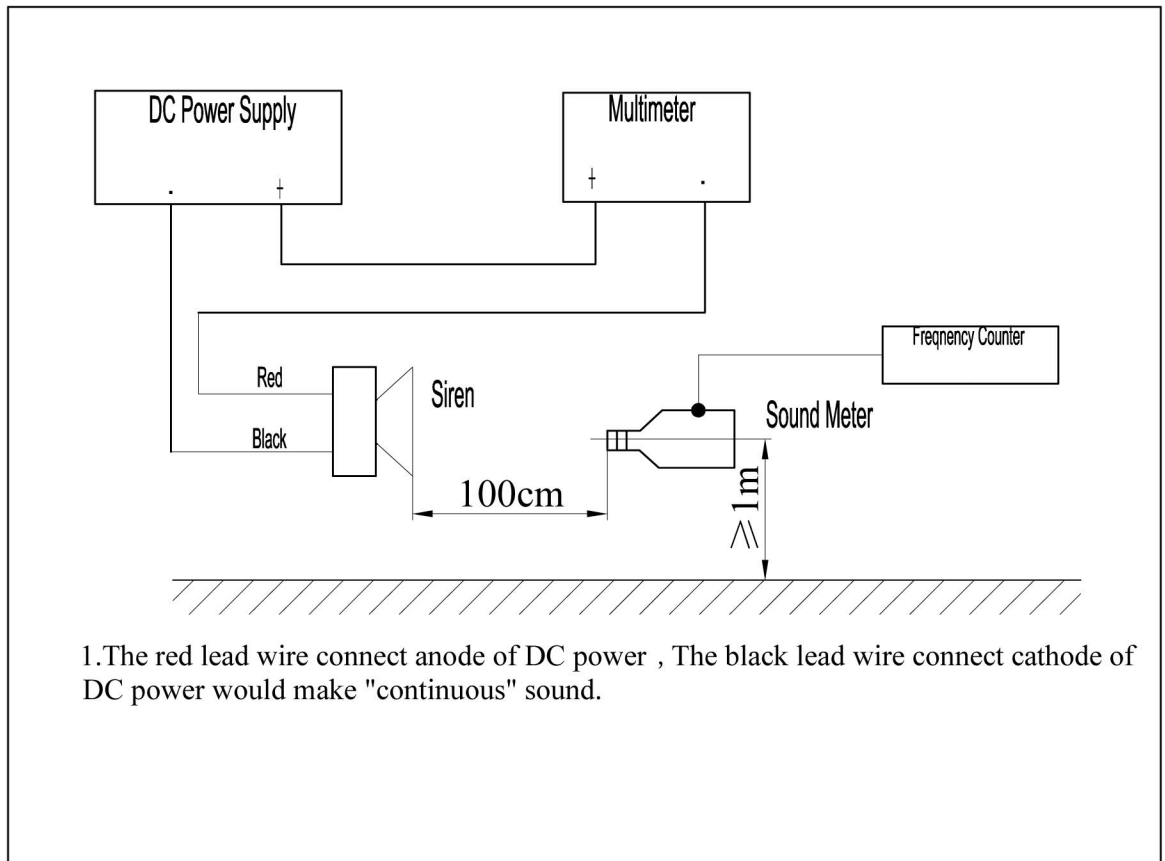
	Item	Specification
1	High Temperature Test	After being woked in a chamber with $+70\pm 2\text{ }^\circ\text{C}$ for 2h and then being placed in natural condition for 2h, sounder shall be measured.
2	Low Temperature Test	First being worked in a chamber with $-30\pm 2\text{ }^\circ\text{C}$ for 2h and then being placed in a chamber with $-30\pm 2\text{ }^\circ\text{C}$ for 16h, finally being placed in natural condtion for 2h, sounder shall be measured.
3	Humidity Test	After being placed in a chamber with 90 to 95%R.H. at $+40\pm\text{ }^\circ\text{C}$ for 2 h and then being placed in natural condition for 2h , sounder shall be measured.
4	Shock	Under acceleration of peak $100\text{m/s}^2(10\text{g})$ & half sine wave pulse (pulse time is 16ms)condition.run into product 1000 times continuously.

Specification for Piezo Siren		Page	5/10
		Revision No.	1.1
Model No. :	KPS-G4510-K1220	Drawing No.	KTC1220R

4. Reliability Test

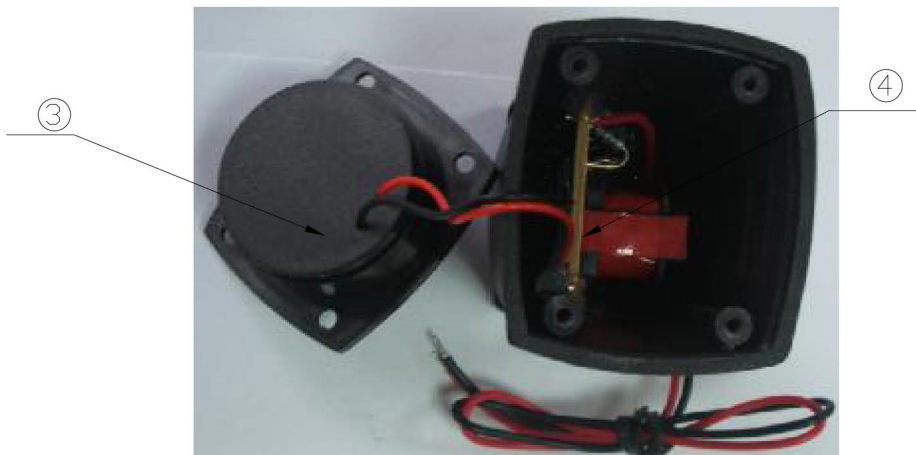
	Item	Specification
5	Drop Test	Siren packed in the carton are dropped in six direction from the height of 50cm to the concrete floor.
6	Vibration Resistance	Siren shall be measured after being applied vibration of amplitude of 1.5mm with 10to 30Hz band of vibration frequency to each of 3 perpendicular directions for 2 hour.

5. Measurement Block Diagram



Specification for Piezo Siren	Page	6/10
	Revision No.	1.1
Model No. : KPS-G4510-K1220	Drawing No.	KTC1220R

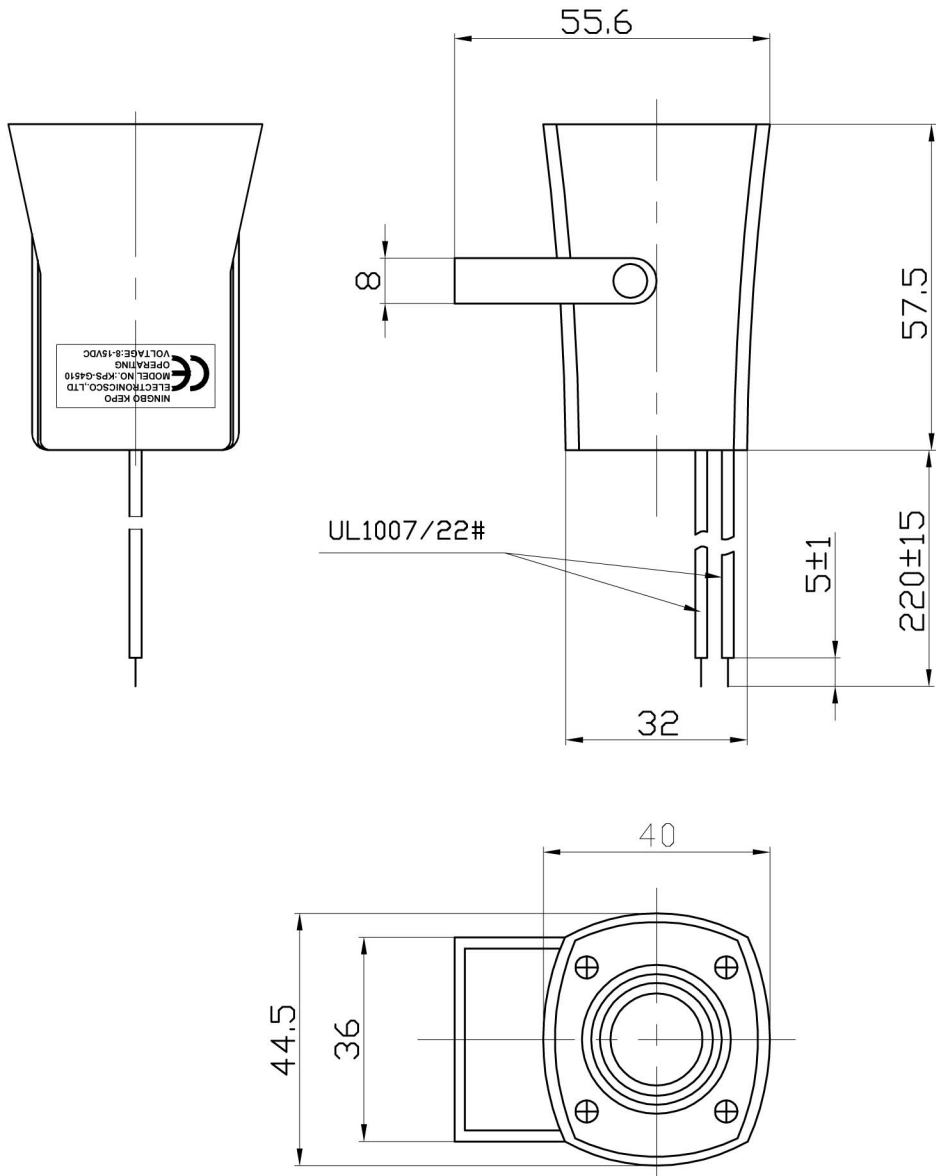
6. Structure



5	Wire	1	/	
4	PCB	1	/	
3	Speaker	1	/	
2	Plank	1	Iron	
1	Housing/Color	1	ABS/Black	
No.	Part Name	Q'TY	Material	SGS

Specification for Piezo Siren	Page	7/10
	Revision No.	1.1
Model No. : KPS-G4510-K1220	Drawing No.	KTC1220R

7. Dimensions



FIRST ANGLE PROJECTION



UNIT : mm
Tolerance : ± 0.5

Specification for Piezo Siren	Page	8/10
	Revision No.	1.1
Model No. : KPS-G4510-K1220	Drawing No.	KTC1220R

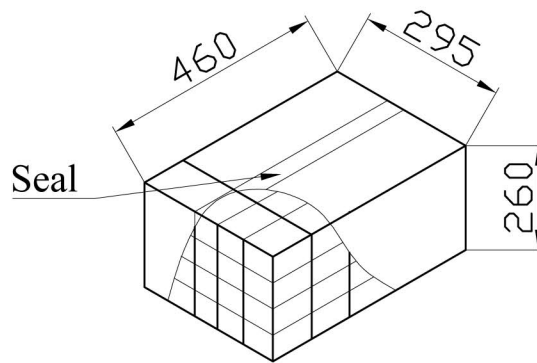
8. Packing



Picture1(1PCS)



Picture2(20PCS)



Picture3(200PCS)

QTY: 200Pcs
460 x295 x260

Model No. : KPS-G4510-K1220

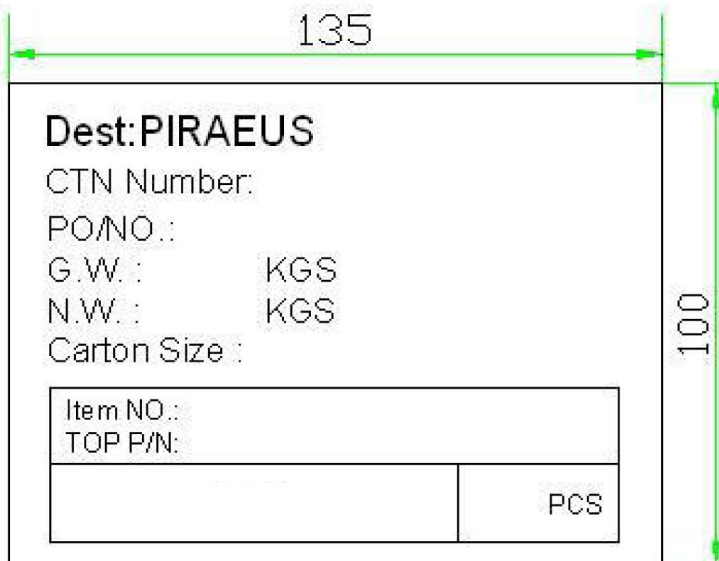
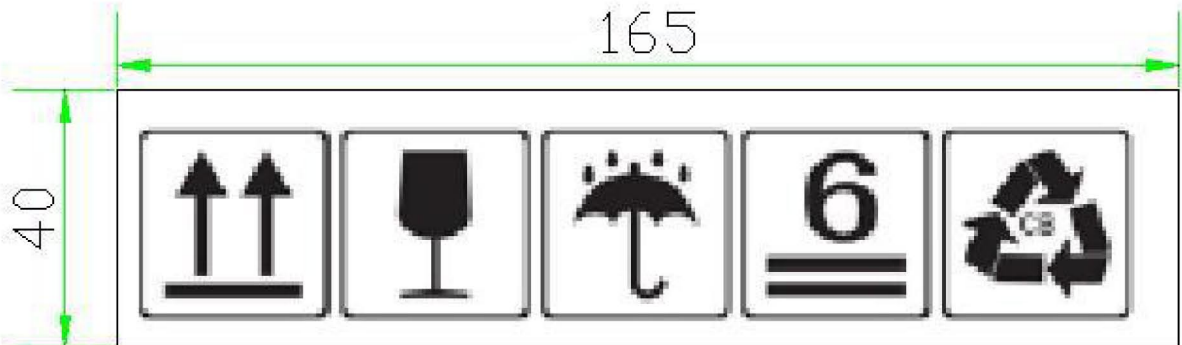
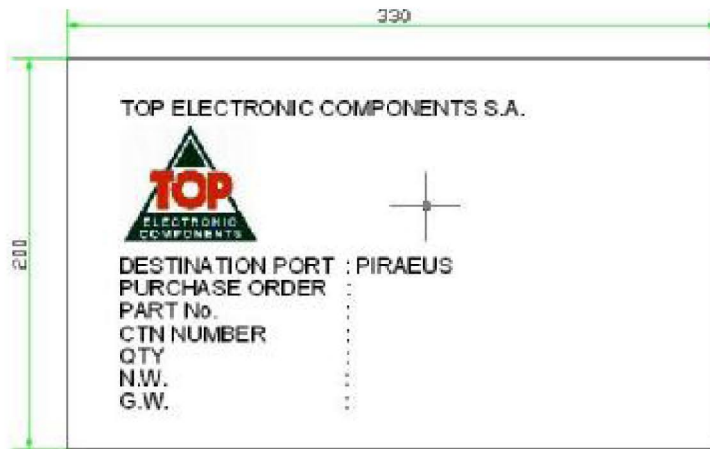
Revision No.

1.1

Drawing No.

KTC1220R

9. Mark



0 207 000 019 388 8

